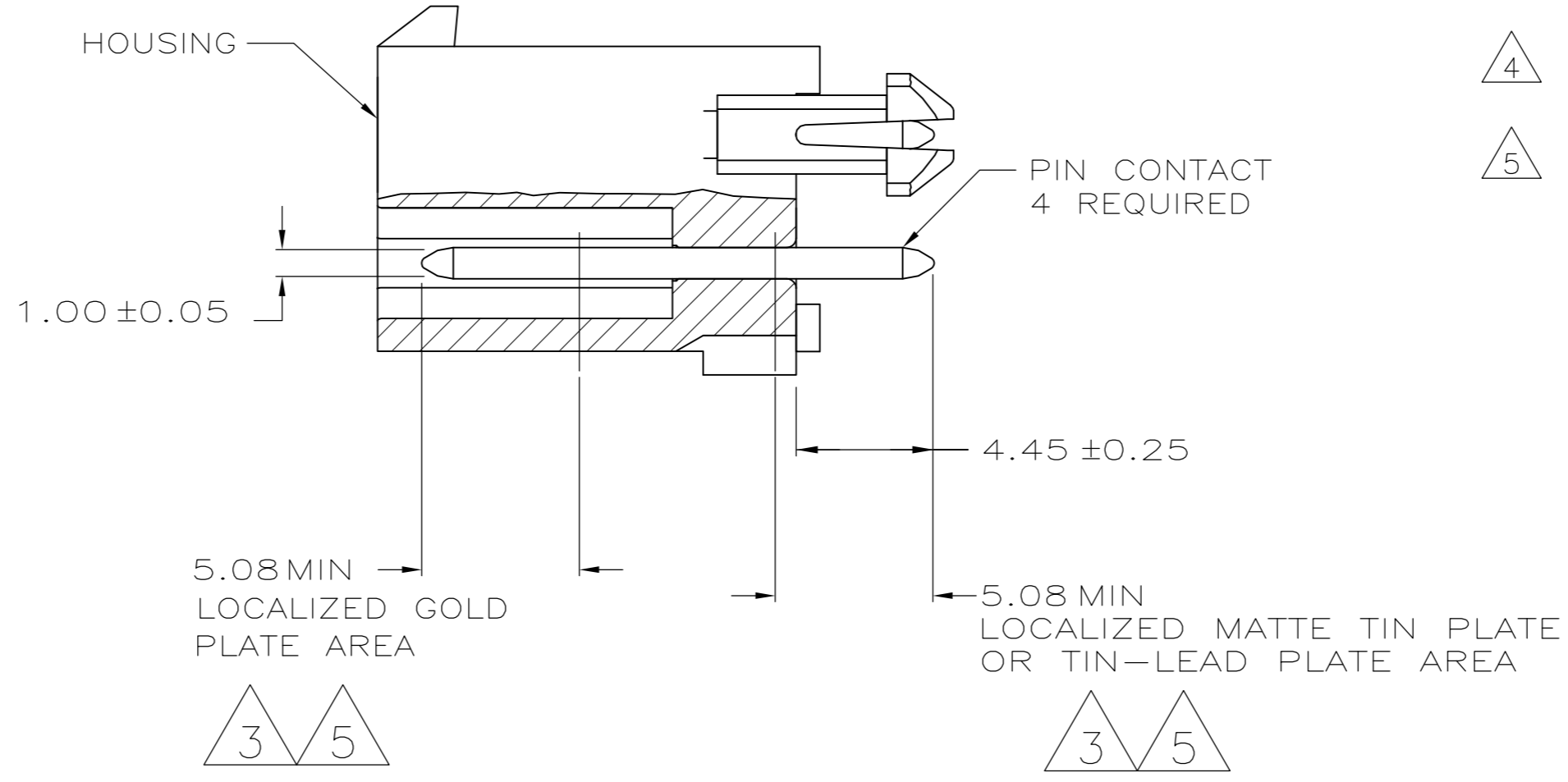
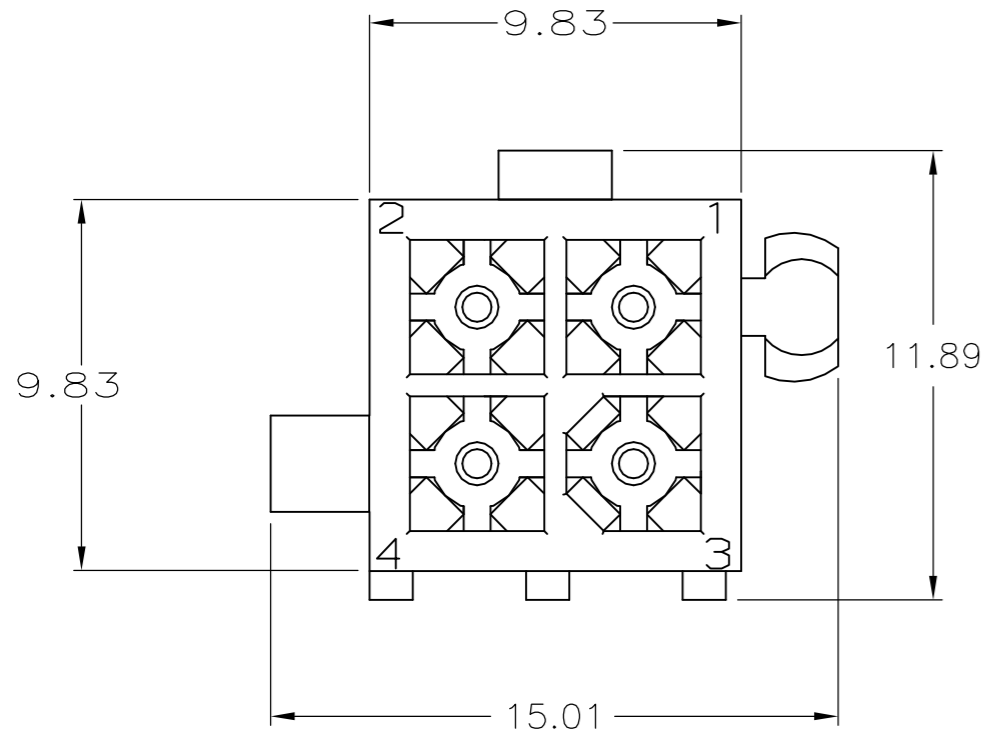
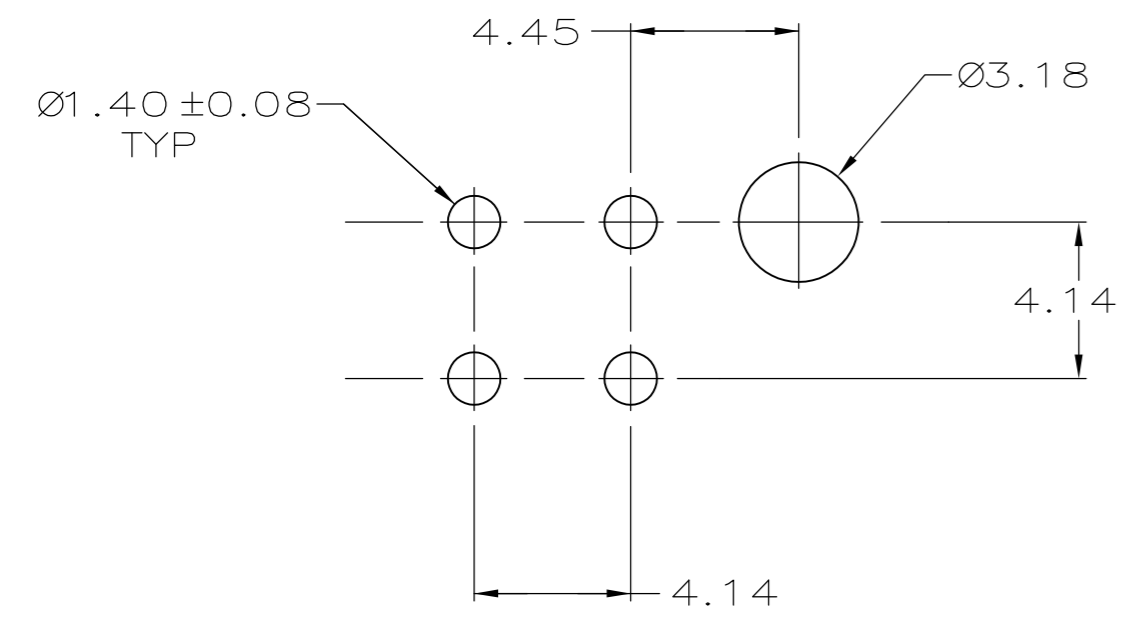


THIS DRAWING IS UNPUBLISHED. RELEASED FOR PUBLICATION
 © COPYRIGHT - By - ALL RIGHTS RESERVED.

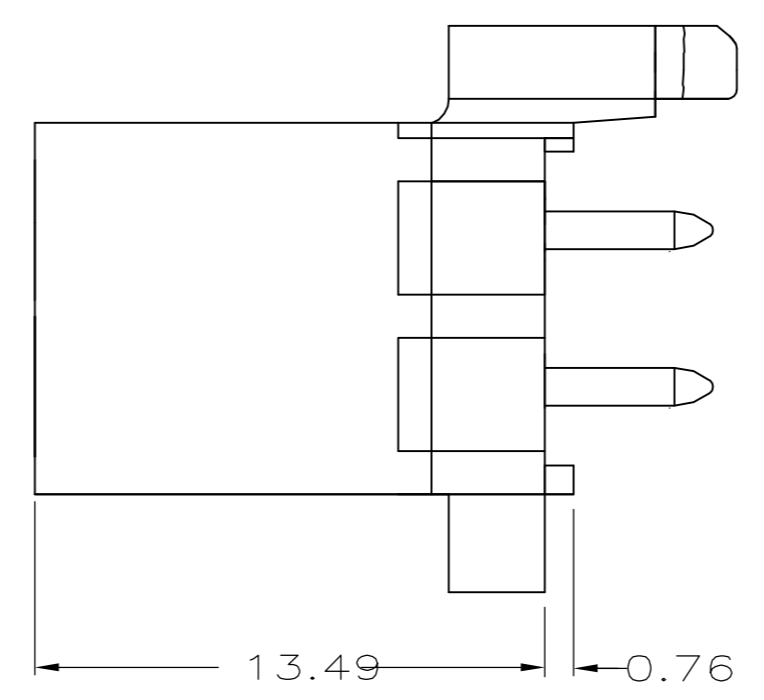
LOC	DIST	REVISIONS					
		P	LTR	DESCRIPTION	DATE	DWN	APVD
CM	0	M		REVISED PER ECR-15-010337	22JUL2015	RK	SC



- 1 PINS TO COMPLY WITH AMP SOLDERABILITY SPEC. 109-11-3.
- 2 0.00381 MIN MATTE TIN LEAD PLATE OVER 0.00127 MIN NICKEL.
- 3 0.00076 MIN GOLD PLATE IN THE LOCALIZED PLATE AREA, 0.00381 MATTE TIN LEAD IN THE LOCALIZED PLATE AREA, BOTH OVER 0.00127 MIN NICKEL.
- 4 0.00381 MIN MATTE TIN PLATE OVER 0.00127 MIN NICKEL.
- 5 0.00076 MIN GOLD PLATE IN THE LOCALIZED PLATE AREA, 0.00381 MATTE TIN IN THE LOCALIZED PLATE AREA, BOTH OVER 0.00127 MIN NICKEL.



RECOMMENDED LAYOUT FOR 1.57 THICK BOARD
 TOLERANCES NON-ACCUMULATIVE



BRASS, TIN	4	NYLON, UL94V-0	BLACK	5-770174-0
BRASS, GOLD	5	NYLON, UL94V-0	WHITE	1-770174-1
BRASS, TIN	4	NYLON, UL94V-0	WHITE	1-770174-0
BRASS, GOLD	3	NYLON, UL94V-0	WHITE	770174-2
BRASS, TIN-LEAD	2	NYLON, UL94V-0	WHITE	770174-1
MATERIAL	FINISH	MATERIAL	COLOR	PART NO.

THIS DRAWING IS A CONTROLLED DOCUMENT.		DWN	S CARPENTER	08JUN05
DIMENSIONS: mm		CHK	R JONES	28/JUL2003
TOLERANCES UNLESS OTHERWISE SPECIFIED:		APVD	R JONES	28JUL2003
0 PLC	± -	PRODUCT SPEC	NAME	
1 PLC	± -	APPLICATION SPEC	TE Connectivity	
2 PLC	± 0.13	WEIGHT	HEADER ASSEMBLY, 4 CKT, MINI UNIVERSAL MATE-N-LOK	
3 PLC	± -	CUSTOMER DRAWING	SIZE	A2
4 PLC	± -	SCALE	CAGE CODE	00779
ANGLES	± -	SHEET	DRAWING NO	C=770174
FINISH	-	RESTRICTED TO	-	
		SCALE	5:1	SHEET 1 of 1
		REV	M	